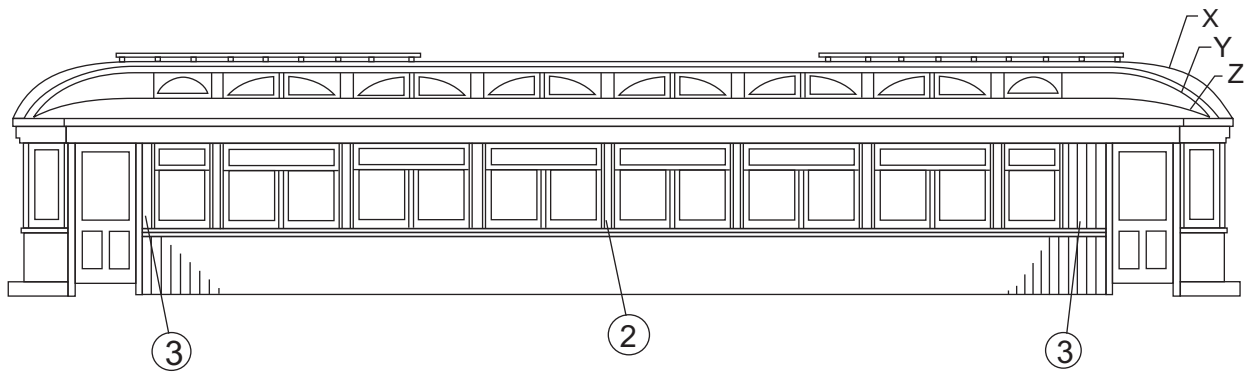
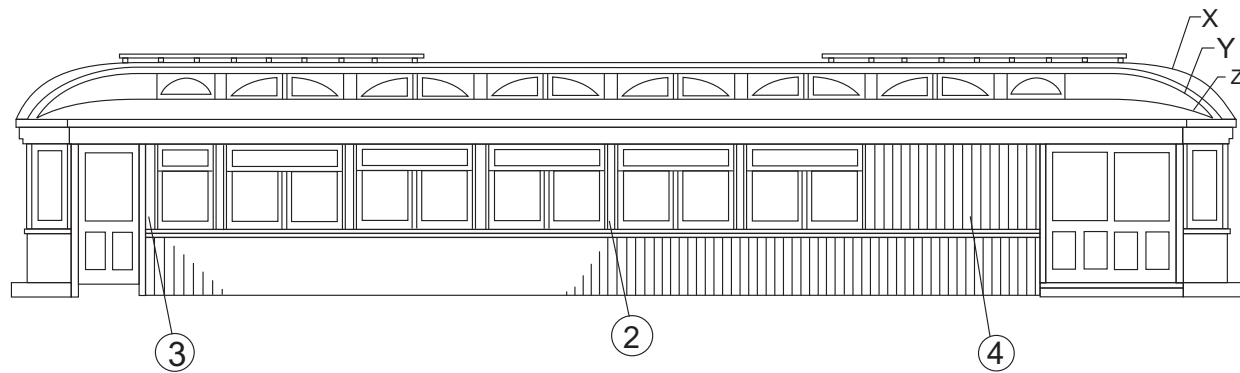


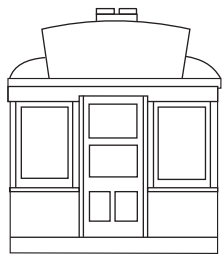
# O-SCALE SACRAMENTO NORTHERN TRACTION BODY KITS



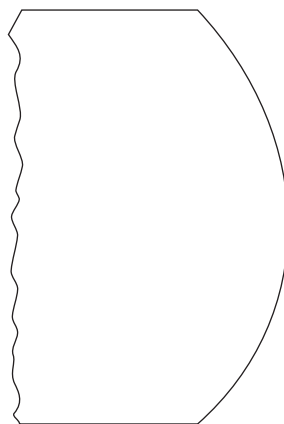
O-261 Coach



O-262 Combine

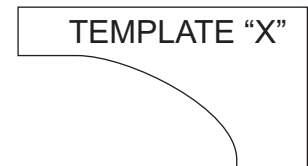


0 1' 2' 3' 4'  
 SCALE = 1/8" = 1' 0"  
 OR 1/2" "O" SCALE



TEMPLATE 'E'

Templates are Full Size



TEMPLATE "X"



TEMPLATE 'Y'



TEMPLATE 'Z'

We would like to thank you for purchasing this LaBelle kit. We believe that these are the finest kits of their type on the market today and we hope that you enjoy building it.

These are considered to be "Craftsman" kits. Don't let that title scare you. This is a Craftsman kit because if you shake the box, all you do is break the parts, not assemble the model.

If you can read and follow directions then you, too, can be a "Craftsman."

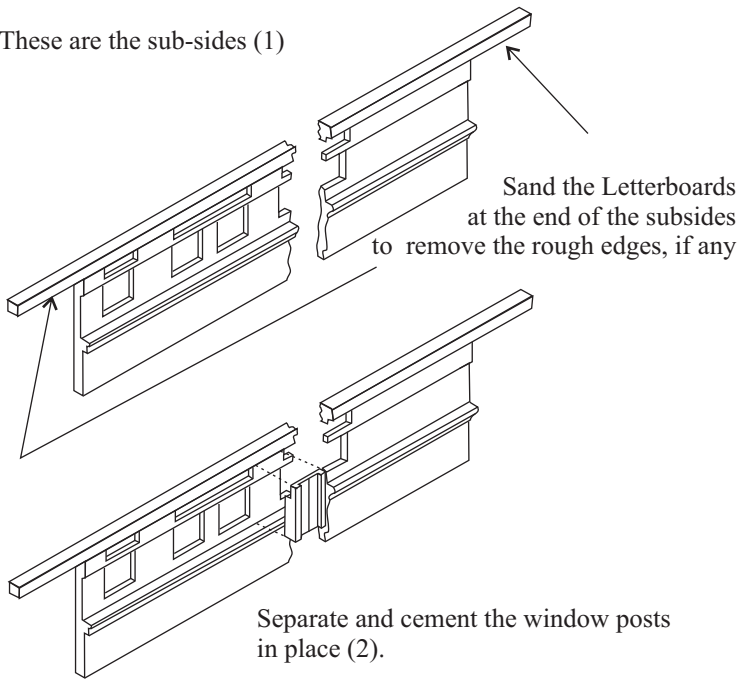


LaBelle Woodworking Company  
 5101 Ridge Road  
 Cheyenne, Wyoming 82009  
 Phone :307-433-9909 Fax: 307-433-9949  
 Toll Free: 866-246-9967 (Voice Only)  
 e-mail: info@labellemodels.com

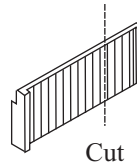
Stripwood that is colored on one end is used in several different places. Be sure that you cut from the uncolored end of the wood to make your parts.

Stripwood colored on both ends can be cut from either end and is used for one particular part. It will be completely used in one assembly. Please keep in mind while building this kit that it is YOUR kit and that you can make it as Spartan or as Detailed as you wish. It is up to you. Remember, all this is is a wooden passenger conveyance on wheels.

These are the sub-sides (1)



Make a Left and a Right Window Post (3) from one large offset scribed post, cutting slightly larger than required and cementing to the Sub-Sides with the Raised shoulder toward the Window and keeping it back the correct margin (eyeball it) from the window.



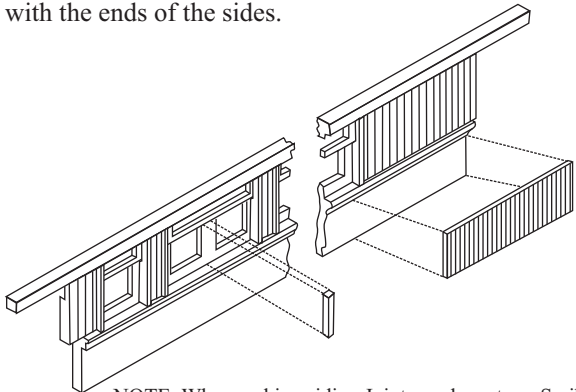
Make One Right and Left Window Post by trimming off Raised Shoulder from the proper edges of the other large offset scribed post.

Cement in place keeping the Raised Shoulder edge toward the window opening and keep the Raised Shoulder back the Correct distance from the window opening. Now cement in place the remaining portion of Post (4) using Excess Portion For Post (3)

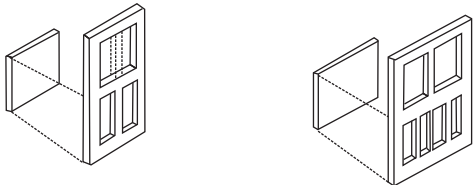
NOTES: The Term "Raised Shoulder" is the slight projection on Both edges of the post When Making Joints, make cuts so Scribed Spacing is Equal.

1	2
3	4

Cut Mullion Casing (5) in place from (Stripwood one end colored Brown). Cement Scribed Siding (6) in place. Trim the siding flush with the ends of the sides.



Cut out Door Rails (7) (Marked Black) as per Isometric Drawing Notation. Sand flush with window opening. Cut Door Panels (8)(9) from 1/32 x 5/8 in wide Stripwood and cement to Doors (7) (Marked Black) keeping Flush at the bottoms of the doors (10) Keeping up 3/32 inch from bottom.



Cement Doors (7) to the back of the letterboard as per Isometric and plan drawings. Keep the edge of the Doors Exactly in Line with End of side and up from Bottom of the side the thickness of the Bumper (14). Sand flush with the top of the side.

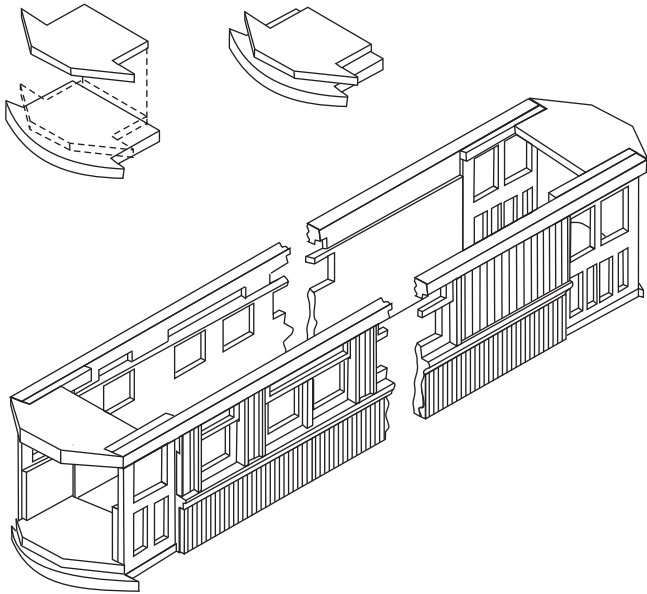
NOTE: Use Bumper to obtain the correct distance Cut Filler Pieces (11) to 3/4 inch length from (Stripwood Combination Colors Brown and Red) and cement to back of doors, keeping flush with the top and Outer Edge of Doors, and (For Combine Only):Cut Filler piece (12) to Width of Baggage Doors (10) from (Stripwood One End Colored Yellow)

and cement to the back of letterboards, keeping the Inner End In Line with End of sides and flush with the bottom. Cement Doors (10) to back of Letterboard as per Isometric and Plan Drawings, keeping edge of Doors Exactly In Line with the end of the side and up from the bottom of the side exactly the thickness of the Bumper (14).

NOTE: Use Bumper to obtain the correct distance Up

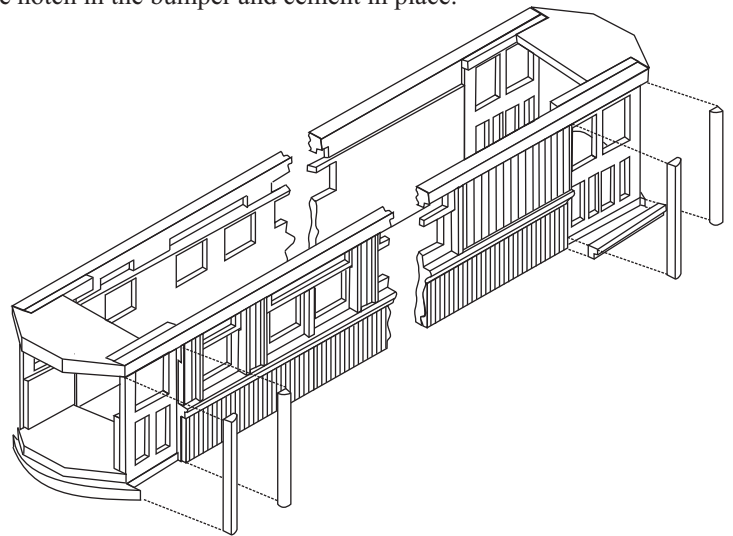
Cement Formers (13) to Bumpers (14) Centering in the width and flush at the back edges.

NOTE: Combine has one (1) wide Bumper for Baggage End.



Place Bumpers on a flat surface and place them at their respective ends. Cement the bottom edges of the doors to the formers making sure that the notches are against the edge of the doors. Cement the top formers (13) in place making sure that the Notches are against the edges of the doors.

Cut the door sill (15) to length to fit between the end of the side and the notch in the bumper and cement in place.

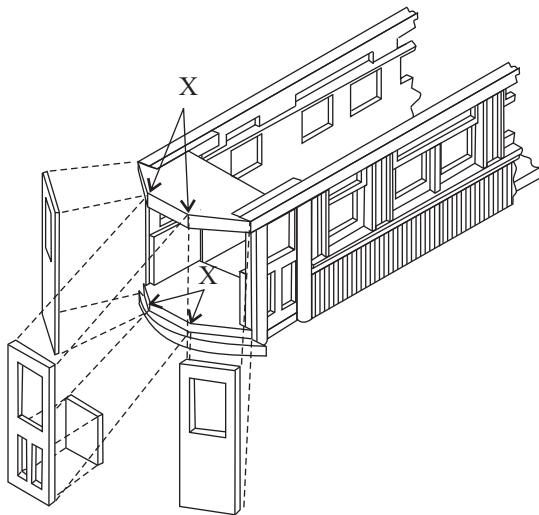


Cut the Quarter-Round pieces (16), Both ends colored Black, to the proper height and cement one to the face of the Baggage Doors and against the end of the side keeping flush with the face of the side, and to the other end of the Baggage Door, keeping flush with the edge of the door.

On the Passenger door, cut the Quarter Round, (17) Colored One End Black, flush with the bottom of the car side. Cement one to the Face of the Passenger Door (9) and against the end of the side wall. Keep this Flush with the face of the sides. Cement the other to the face of the door, keeping it flush with the edge of the door.

5	6
7	8

Cut and cement the door panels (19) from the 1/32" x 5/8" wide Stripwood to the End door Sections(18), keeping the panels 3/32" up from the bottom of the doors.

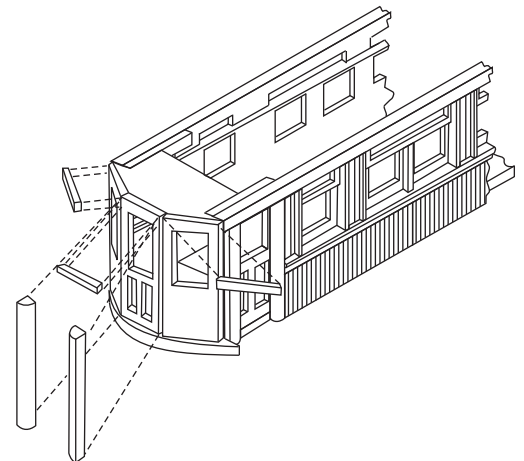


Cement the end door sections (18) to the formers (13) keeping the ends in line with the points marked "X" in the drawing.

Cement in place the Right and Left Angle Window Sections (20) and sand them flush with the top

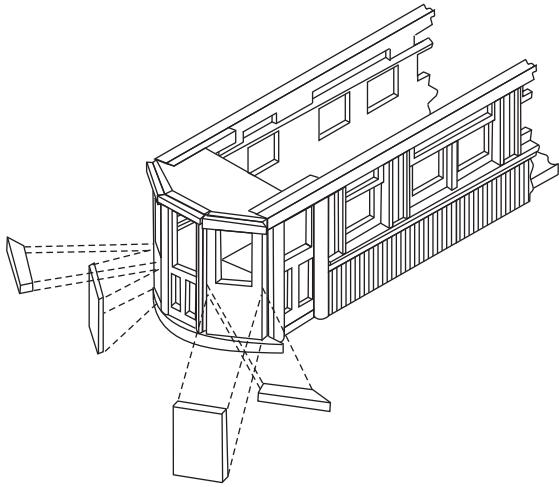
Cut the Door Section End Letterboard filler piece (21) to length from the Stripwood with one End Colored Blue and cement the Narrow Edge to the face of the End Door keeping it flush at the top.

Cut and fit the Window Section End Window Letterboard filler pieces (22) from the same stripwood and cement the Wide Edge to the face of the Window Sections, keeping it flush at the top.



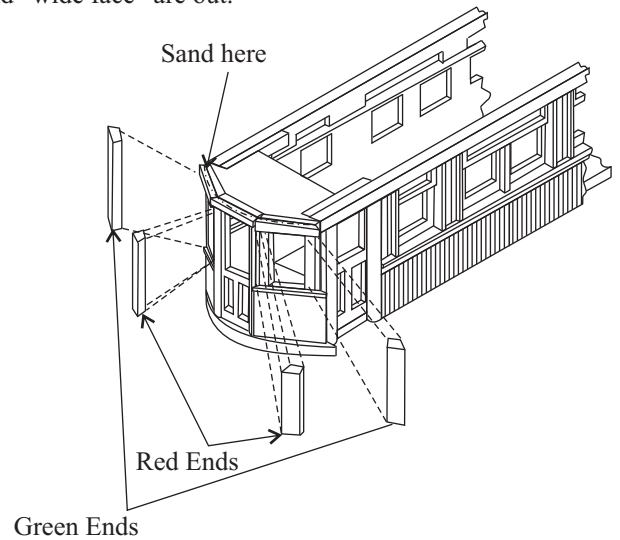
Cut the Door Molding (23) to length from the Stripwood combination Colored Brown and Black. Cement this molding to the face of the door keeping it flush with the edges of the door.

Cut and fit Unscribed Dash Siding (24) which is Pre-Cut to height and cement it to the Window Sections.



Cut and fit the Window Sills (25) from Stripwood with one end colored Yellow. Cement on Top of the Dash. Sand the window sills to leave a slight projection.

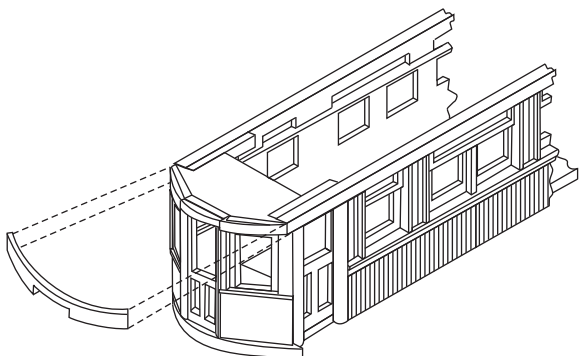
Cut and Cement the Bevel Casing (26) in place, from Stripwood with one end colored Red. This casing goes next to the end door. Cut and Cement the Bevel Casing (27) in place, from Stripwood with one end colored Green. This casing goes against the outside of the end next to the Passenger Doors. Make sure that the "square edge" and "wide face" are out.



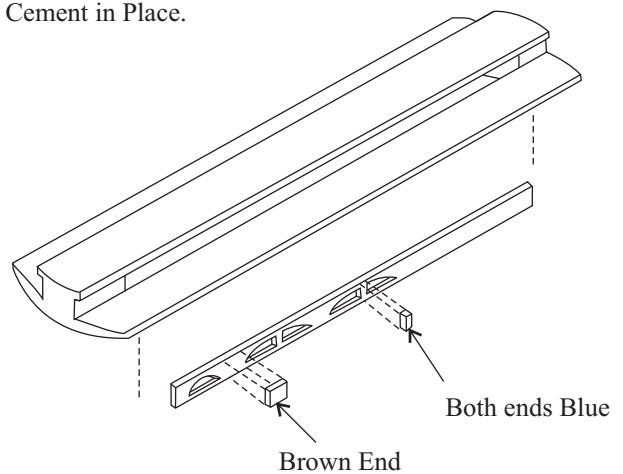
Cut out or trace Template "E" and sand the end letterboards to this radius, Flush with the center and corner moldings.

9	10
11	12

Remove the Tension of the End Letterboard Overlay, (28) made from Stripwood with the Combination colors Blue and Green, by rolling a small round object back and forth on the Backside. Center and cement to the End Radius, keeping it flush at the top.



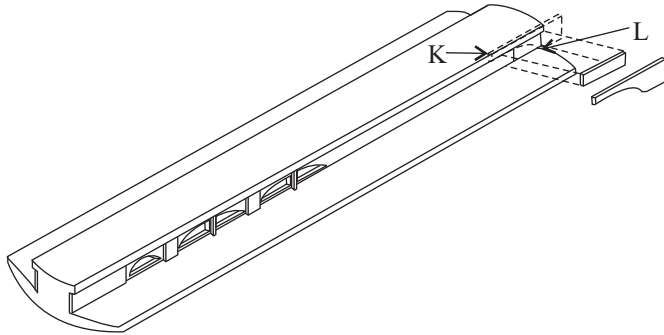
Assemble the roof (29) by cementing the window inserts (30) inside the roof. Cut the casing (31) to length from the Stripwood colored one end Brown. Cut the casing (32) to length from the Stripwood colored both ends Blue. Cement in Place.



Sand the Roof to the correct length, leaving an equal overhang at the sides and ends.

Now Make up Templates “X”, “Y” and “Z” from Card Stock or use our optional roof rounding kit, which has these Templates pre-made. Use these templates to check the roof contour at lines X, Y and Z as per the roof end notations shown on page 1.

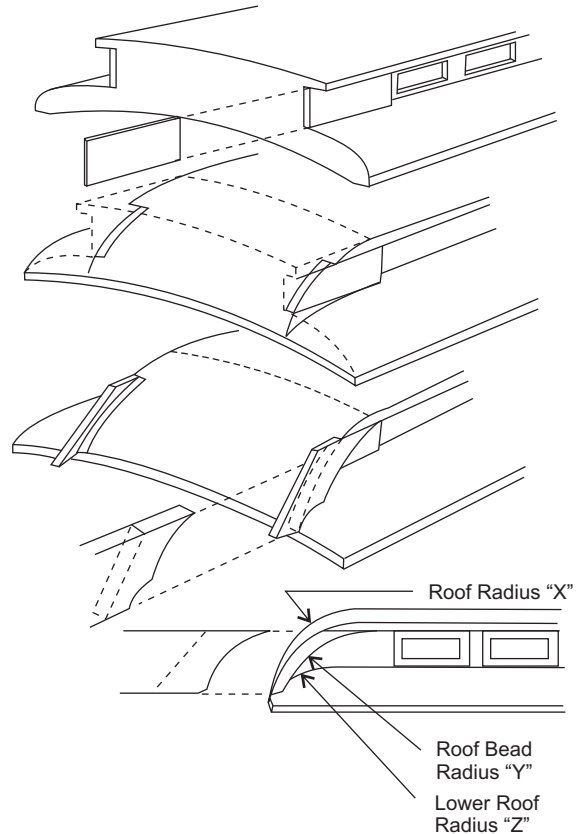
Cut and sand the Lower Roof sections using Template “X”  
Next, use template “Y” to make four roof overhang pieces from 1/8” x 3/4” wide stripwood.



Remember, this is a cut and fit procedure. First, cut off Small Portions of the Roof Top overhang until Points “K” and Points “L” of the roof overhang pieces fit and cement in place. Now cut and sand the Roof Ends to match Template “Z”

What does all this mean? Easy, be patient and get a piece of emery cloth and take a little off the ends at a time. Just pull with the Grain of the wood, like polishing a pair of shoes.

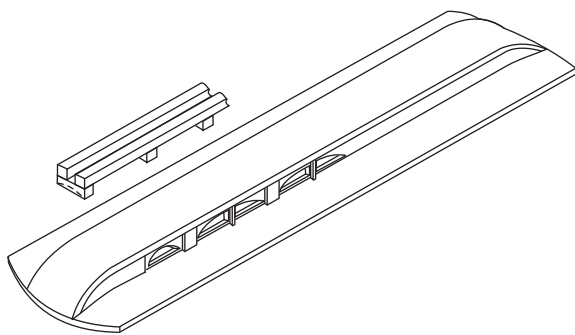
Shown Below is an alternative method for rounding the roof ends which some people prefer to the method just outlined.



13 14  
15 16

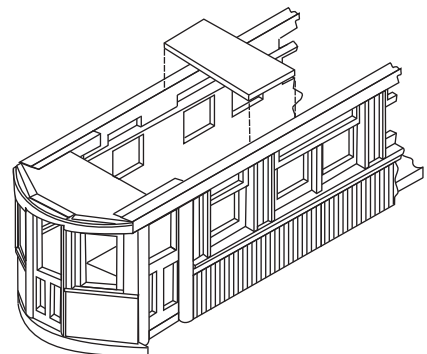
Make Roof Walk (34) from Stripwood with the combination colors Red and Black and (35) Stripwood with both ends colored Brown.

Tip: Place your sandpaper, sand side up on the roof and sand the roofwalk to the roof curve by just rubbing across the Sandpaper.

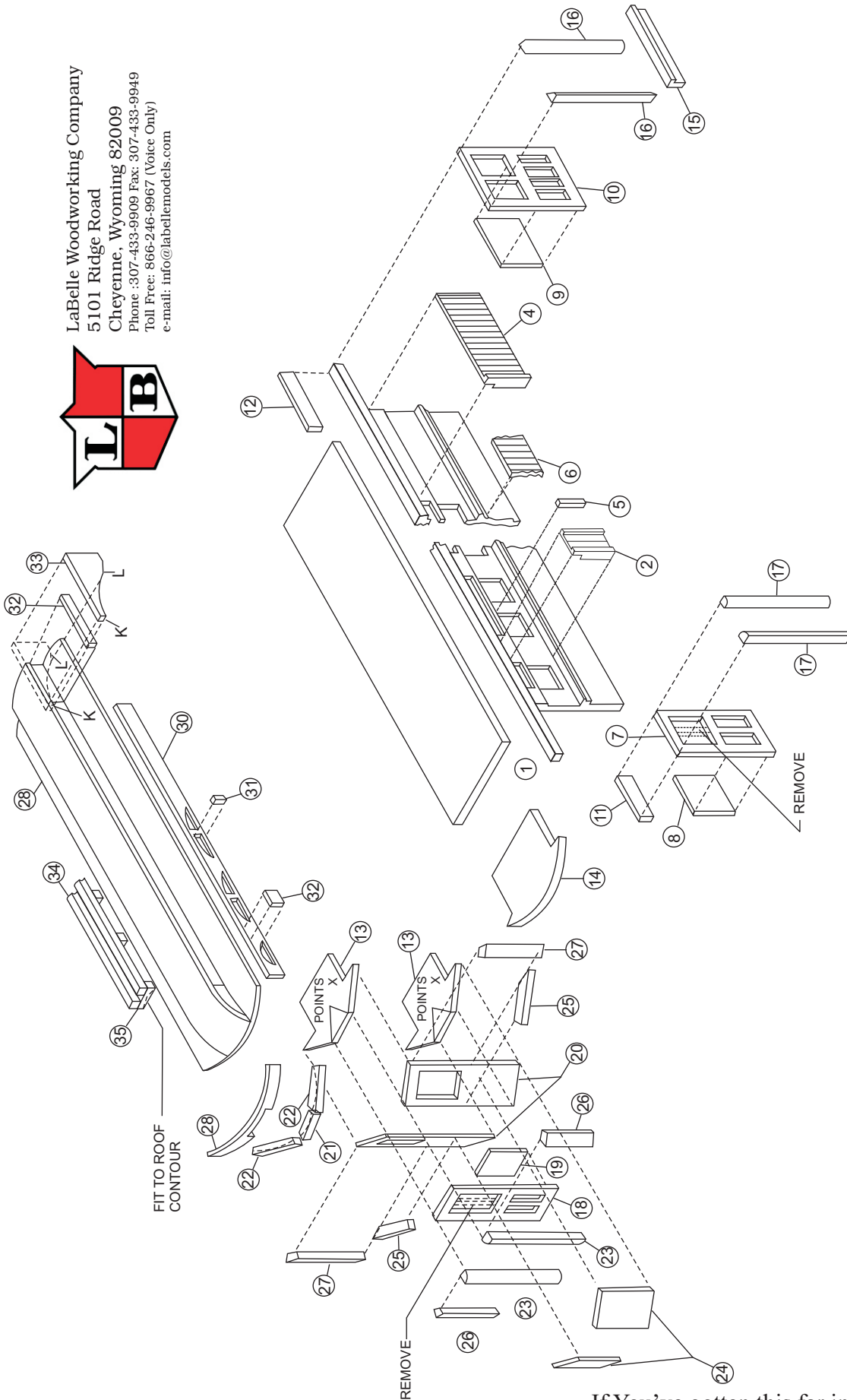


Now paint the car and the roof. After the car is painted, add the Clear Mylar Window material

Cut two Body Spacers from 3/23” x 1/2” wide stripwood and fit them between the sides at the top of the car. Space equally and cement in place.



LaBelle Woodworking Company  
 5101 Ridge Road  
 Cheyenne, Wyoming 82009  
 Phone :307-433-9909 Fax: 307-433-9949  
 Toll Free: 866-246-9967 (Voice Only)  
 e-mail: info@labellemodels.com



# O-261, O-262 Isometric Drawing

If You've gotten this far in your kit building, you can now call yourself a "Craftsman" modeler.



Congratulations!